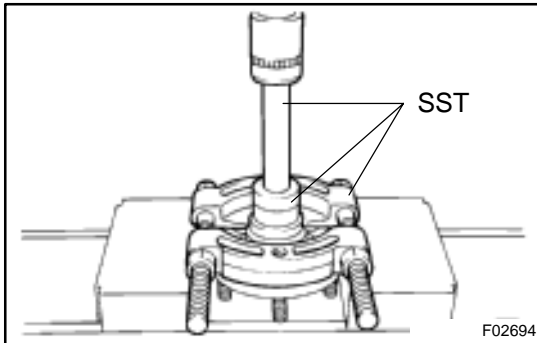


## DISASSEMBLY

### 1. REMOVE AXLE HUB

- (a) Using SST, remove the axle hub.

SST 09520-00031 (09520-00040, 09521-00010, 09521-00020)



- (b) Using SST and a press, remove the inner race (outside) from the axle hub.

SST 09950-00020, 09950-60010 (09951-00380), 09950-70010 (09951-07150)

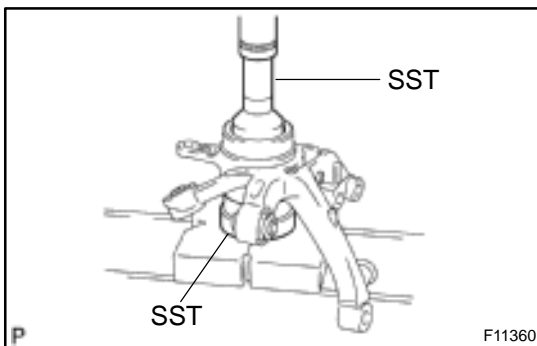
### 2. REMOVE DUST COVER

Remove the 3 bolts and dust cover.

### 3. REMOVE BEARING FROM AXLE CARRIER

- (a) Using snap ring pliers, remove the snap ring.

- (b) Place the inner race on the outside of the bearing.



- (c) Using SST and a press, remove the bearing.

SST 09310-35010, 09527-17011